

MSP 314-4

Key Features



- Support resolutions up to WUXGA (1920×1200) 60Hz and HDMI 1.4 (4Kx2K@30Hz)
- 1xLC connector on both transmitter and receiver
- Transmit 2000m by Single Mode Fiber
- EDID storage
- Resist electromagnetic interference
- Easy installation

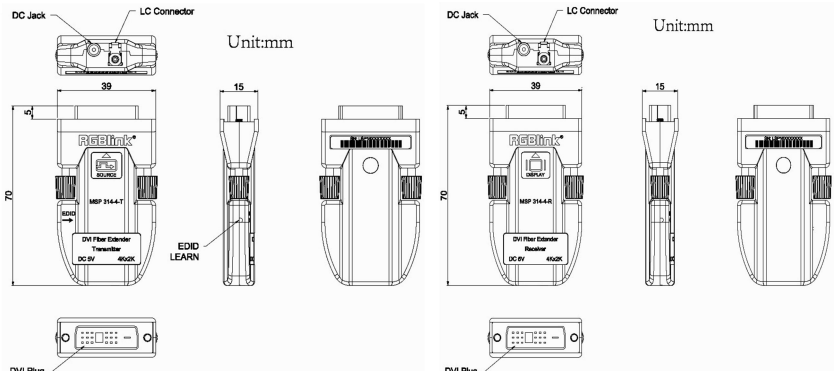
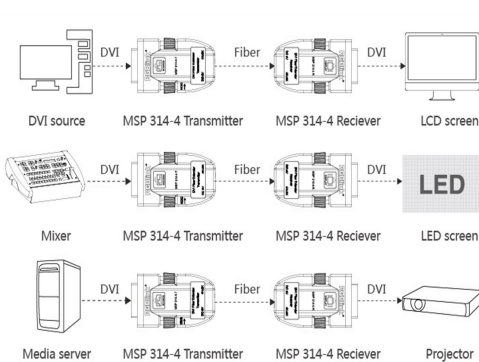
* Single-mode fiber is recommended. For multi-mode fiber, OM3 and above is required.

Specification

Connectors	Input	Transmitter	1xDVI
		Receiver	1xLC
	Output	Transmitter	1xLC
		Receiver	1xDVI
Performance	Input Resolution	DVI	SMPTE 480i@60 576i@60 720p@50/60 1080i@50/60 1080p@50/60
			VESA 800x600@60 1024x768@60 1280x768@60 1280x1024@60 1360x768@60 1400x1050@60 1440x900@60 1600x1200@60 1680x1050@60 1920x1080@60 1920x1200@60 2048x1152@60 2560x812@60 2560x816@60 3840x2160@30
	Output Resolution	DVI	SMPTE 480i@60 576i@60 720p@50/60 1080i@50/60 1080p@50/60
			VESA 800x600@60 1024x768@60 1280x768@60 1280x1024@60 1360x768@60 1400x1050@60 1440x900@60 1600x1200@60 1680x1050@60 1920x1080@60 1920x1200@60 2048x1152@60 2560x812@60 2560x816@60 3840x2160@30
Supported Standard	DVI	D-DVI	
	Extend Distance	2000m (Single Mode Fiber)	
Power	Input Voltage	5V DC	
Physical	Weight	0.12kg	
	Dimension	70mmx40mmx15mm	

Application

Dimension



Order Codes

MSP 314-4 Transmitter

MSP 314-4 Receiver

Product Code	Item
611-0011-01-0	MSP 314-4

Tel: +86-592-5771197 | Fax: +86-592-5788216 | E-mail: sales@rgblink.com

Headquarter: Room 601A, No. 37-3 Banshang community, Building 3, Xinke Plaza, Torch Hi-Tech Industrial Development Zone, Xiamen, China

Specifications are correct at time of printing and subject to change or alteration without notice.

