

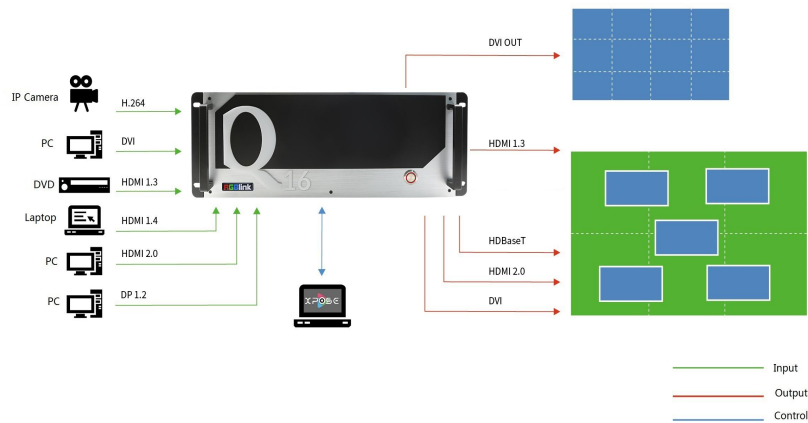
Q16pro



Key Features

- Each module supports up to 8 video layers
- Each layer supports for overlying, crossing and roaming
- Support 4K@60 inputs and outputs
- Each module supports for customized output resolution, single port's width up to 3840 and height up to 3840
- Input modules can be inserted into output slots(for 4~14U model)
- Optional independent audio input&output modules
- XPOSE visualization operation
- EDID Management

Application



Order Codes

Product Code	Item
711-0020-02-0-16	Q16pro-2U
711-0020-01-0-16	Q16pro-4U
711-0020-04-0-16	Q16pro-8U
711-0020-05-0-16	Q16pro-14U
711-0020-07-0-16	Q16pro-26U
791-0020-02-0	Q16pro Dual HDMI 1.4 Input Module
791-0020-03-0	Q16pro Quad DVI-M Input Module
791-0020-04-0	Q16pro Quad DVI Input Module
791-0020-05-0	Q16pro Quad HDMI 1.3 Input Module (with embedded audio)
791-0020-08-0	Q16pro Dual DP1.2&HDMI2.0 4K@60 Input Module
791-0020-10-0	Q16pro Quad HDBaseT 1080P Input Module
791-0020-11-0	Q16pro Single IP Input Module
791-0020-12-0	Q16pro Quad 3G SDI Input Module

Product Code	Item
791-0020-21-0	Q16pro Quad HDMI Output Module
791-0020-22-0	Q16pro Quad 2K DVI Output Module
791-0020-23-0	Q16pro Quad DVI-BK Output Module
791-0020-24-0	Q16pro Quad HDMI-BK Output Module
791-0020-25-0	Q16pro Dual HDMI 1.4 Output Module
791-0020-26-0	Q16pro Quad HDBaseT Output Module
791-0020-27-0	Q16pro Quad 3G SDI Output Module
791-0020-28-0	Q16pro Dual HDMI 2.0 4K60 Output Module
791-0020-30-0	Q16pro Analogy Audio Input&Output Module
791-0020-31-0	Q16pro PVW Module
791-0020-32-0	Q16pro DVI PVW Module
950-0013-01-0	Redundant Power Module 250W (for 4U)
950-0011-02-0	Redundant Power Module (for 8U and above)

Tel: +86-592-5771197 | Fax: +86-592-5788216 | E-mail: sales@rgblink.com

Headquarter: Room 601A, No. 37-3 Banshang community, Building 3, Xinke Plaza, Torch Hi-Tech Industrial Development Zone, Xiamen, China

Specifications are correct at time of printing and subject to change or alteration without notice.

RGBlink



www.rgblink.com

Specification

Model	Q16pro-2U	Q16pro-4U	Q16pro-8U	Q16pro-14U	Q16pro-26U	
Specification	2U	4U	8U	14U	26U	
Numbers of input slots(MAX)	3	4	10	20	40	
Numbers of output slots(MAX)	2	5	10	20	40	
Shared slots	nonsupport	Output slot No.1~No.5	Output slot No.1~No.8	Output slot No.1~No.18	nonsupport	
Physical	Net Weight	6.5kg	8.25kg	15kg	20kg	
	Package Weight	10kg	12kg	20kg	25kg	
	Net Dimension	446mm×370mm×89mm	484mm×373mm×178mm	488mm×370mm×355.6mm	485mm×310mm×625mm	485mm×410mm×1175mm
	Package Dimension	630mm×585mm×250mm	645mm×525mm×295mm	665mm×525mm×495mm	596mm×456mm×710mm	650mm×420mm×1280mm
Connectors	Input	Optional	DVI Composite Module 4×DVI-I (compatible with HDMI/DVI/VGA/YPbPr/CVBS) DVI Module 4×DVI-I DP1.2 HDMI2.0 Module 2×DP 2×HDMI-A IP Module 1×RJ45 3G SDI Module 8×BNC (4 In 4 Loop)	HDMI 1.3 HDMI 1.4 DP 1.1 HDBaseT Module	4×HDMI-A 2×HDMI-A 2×DP 4×RJ45	
	Output	Optional	DVI Module 4×DVI-I HDBaseT Module 4×RJ45 3G SDI Module 4×BNC	HDMI 1.3 HDMI2.0 Module	4×HDMI-A 2×HDMI-A	
	Audio	Optional	3.5mm Audio Jack(4 In 4 Out)			
	PVW	Optional	PVW Module 1×RJ 45 1×HDMI-A			
	Communication		LAN 1×RJ45 RS232(In/Out) 2×DB9			
	Performance	Input Resolutions	Select from below or configure customized			
HDBaseT						
SMPTE		720p@50/60 1080p@30/50/60				
VESA		800×600@60 1024×768@60 1280×768@60 1280×1024@60 1600×1200@60 1920×1080@60				
H.264/H.265						
SMPTE		720p@50/60 1080p@30/50/60 2160p@30				
DVI HDMI 1.3						
SMPTE		720p@50/60 1080p@30/50/60				
VESA		800×600@60 1024×768@60 1280×720@60 1280×800@60 1280×1024@60 1360×768@60 1366×768@60 1440×900@60 1400×1050@60 1600×1200@60 1680×1050@60 1920×1080@60 1920×1200@60				
DP 1.1 HDMI 1.4						
SMPTE	720p@50/60 1080p@30/50/60 2160p@30					
VESA	800×600@60 1024×768@60 1280×720@60 1280×800@60 1280×1024@60 1360×768@60 1366×768@60 1440×900@60 1400×1050@60 1600×1200@60 1680×1050@60 1920×1080@60 1920×1200@60 3840×2160@30					
SDI						
SMPTE	720p@50/60 1080p@50/60					
DP 1.2 HDMI 2.0						
SMPTE	720p@50/60 1080p@30/50/60 2160p@60					
VESA	800×600@60 1024×768@60 1280×720@60 1280×800@60 1280×1024@60 1360×768@60 1366×768@60 1440×900@60 1400×1050@60 1600×1200@60 1680×1050@60 1920×1080@60 1920×1200@60 3840×2160@60 4096×2160@60 7680×1080@60					
Output Resolutions	Select from below or configure customized					
DVI HDMI 1.3						
SMPTE	720p@50/60 1080p@30/50/60					
VESA	800×600@60 1024×768@60 1280×768@60 1280×1024@60 1600×1200@60 1920×1080@60 1920×1200@60					
HDBaseT						
SMPTE	720p@50/60 1080p@30/50/60					
VESA	800×600@60 1024×768@60 1280×768@60 1280×1024@60 1600×1200@60 1920×1080@60					
SDI						
SMPTE	720p@50/60 1080p@24/30/50/60					
HDMI2.0						
SMPTE	720p@50/60 1080p@30/50/60 2160p@30/60					
VESA	1024×768@60 1280×720@60 1280×768@60 1280×800@60 1280×1024@60 1360×768@60 1440×900@60 1920×1200@60 3840×570@60 2560×1600@60/120 3840×2160@30/60 3840×2400@60 4096×2160@60					
Supported Standard	SDI	3G				
	HDMI	2.0				
	DVI	Single Link				
	DP	1.2				
	H.265	H.265				
HDBaseT	1.0					
Supported Protocols	RTSP					
Decoding Format	H.265 Main Profile Level5.1 H.264 Baseline/Main/High Profile Level5.0					
Power	Input Voltage	AC 100V-240V, 50/60Hz(2U supports single power module,4U and above support redundant power module)				
Working Environment	Working Temperature	-5℃~45℃				
	Working Humidity	15%~85%				

Tel: +86-592-5771197 | Fax: +86-592-5788216 | E-mail: sales@rgbink.com

Headquarter: Room 601A, No. 37-3 Banshang community, Building 3, Xinke Plaza, Torch Hi-Tech Industrial Development Zone, Xiamen, China

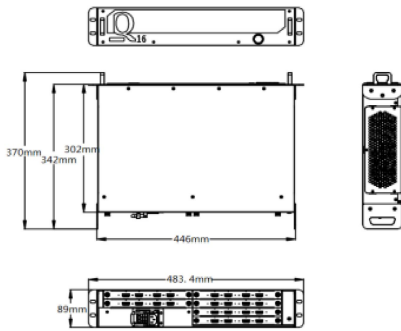
Specifications are correct at time of printing and subject to change or alteration without notice.

RGBlink
www.rgbink.com

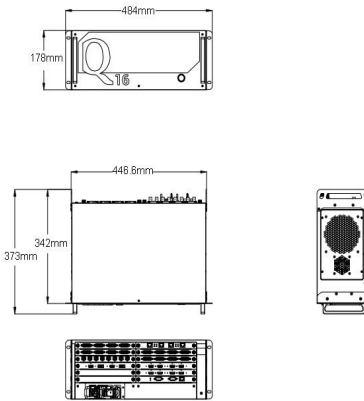


Dimension

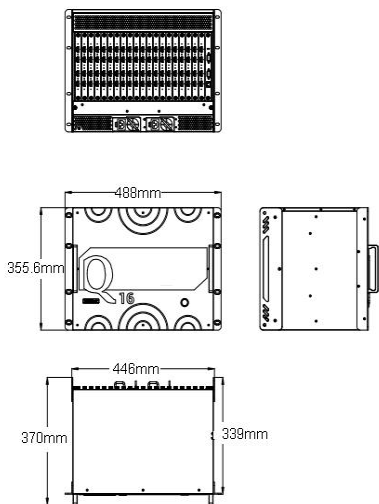
Q16pro-2U



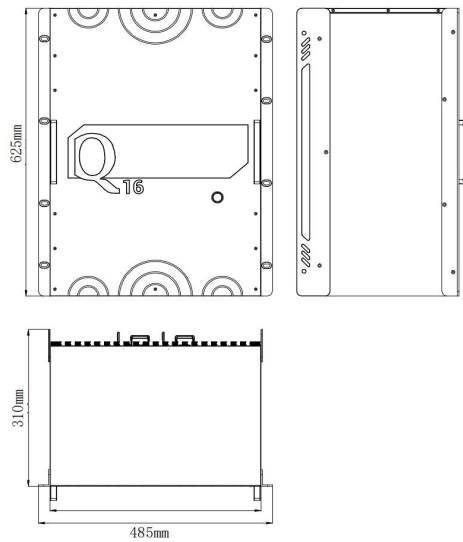
Q16pro-4U



Q16pro-8U



Q16pro-14U



Q16pro-26U

